



3V1 Series Solenoid Valve

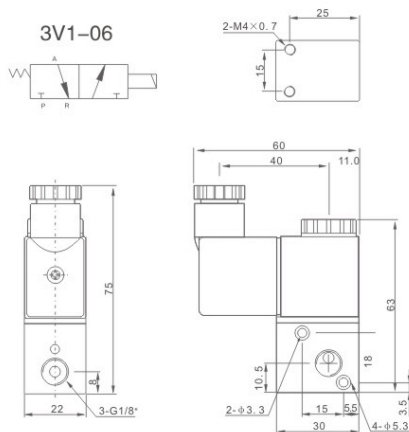
Ordering Code

3V	1	06	B	AC220V	
Specification Code 3V: Two-position Three-way Solenoid Valve	Series Code 100 Series	Port Size M5: M5×0.8 06: G1/8"	Connecting Type Blank: Pipe Connection Type B: Plate Connection Type	Standard Voltage DC12v DC24v AC24v 50Hz/60Hz AC110v 50Hz/60Hz AC220v 50Hz/60Hz AC380v 50Hz/60Hz	Wiring Form Blank: Standard Connector G: Lead Wire Type L: With Lighting Connector



3V1-06

Overall Dimensions



Specification

Model	3V1-M5	3V1-06
Working Medium	40 Micron Filtered Air	
Motion Pattern	Direct Drive Type	
Joint Pipe Bore	M5	1/8"
Ambient Temperature	-10~+60°C	
Gas Temperature	5~60°C	
Air Outlet Diameter	1.0mm	
Lubrication	Not Necessary	
Working-Pressure	0~0.8MPa	
Max.Pressure Resistance	1.2MPa	
Power Consumption	AC:4.5VA DC:3.0W	
Protect Class	IP65	
Highest Action Frequency	10 Cycle / Sec	
Material of Body	Aluminum Alloy	
Voltage Range	±10%	
Insulation	F Class	
Shortest Excitation Time	0.05 Second	

Overall Dimensions

