



## DNC Series ISO6431 Standard Cylinder

### Ordering Code

□	<b>DNC</b>	<b>50</b> × <b>100</b>	<b>25</b>	<b>S</b>	□	
<b>Tube Type</b> Blank: Square Type T: Tie-rod Type M: Mickey Mouse Type	<b>Series Code</b> DNC: ISO6431 Standard Double Action Type DNCD: ISO6431 Standard Two Axis Double Action Type DNCJ: ISO6431 Two Axis Stroke Adjust Type	<b>Cylinder Bore</b> 32mm-125mm	<b>Stroke</b>	<b>Adjust Stroke</b> 25: 25mm 50: 50mm 75: 75mm	<b>Magnet Code</b> Blank: Without Magnet S: With Magnet	<b>Fixed Type</b> Blank: Normal type LB: Front and back fixed type FA: Front cover fixed type (Front flange type) FB: Back cover fixed type (Back flange type) CA: Back cover fixed type (Single earring) CB: Back cover fixed type (Double earring) SDB: Back cover fixed type



DNC 50 × 100

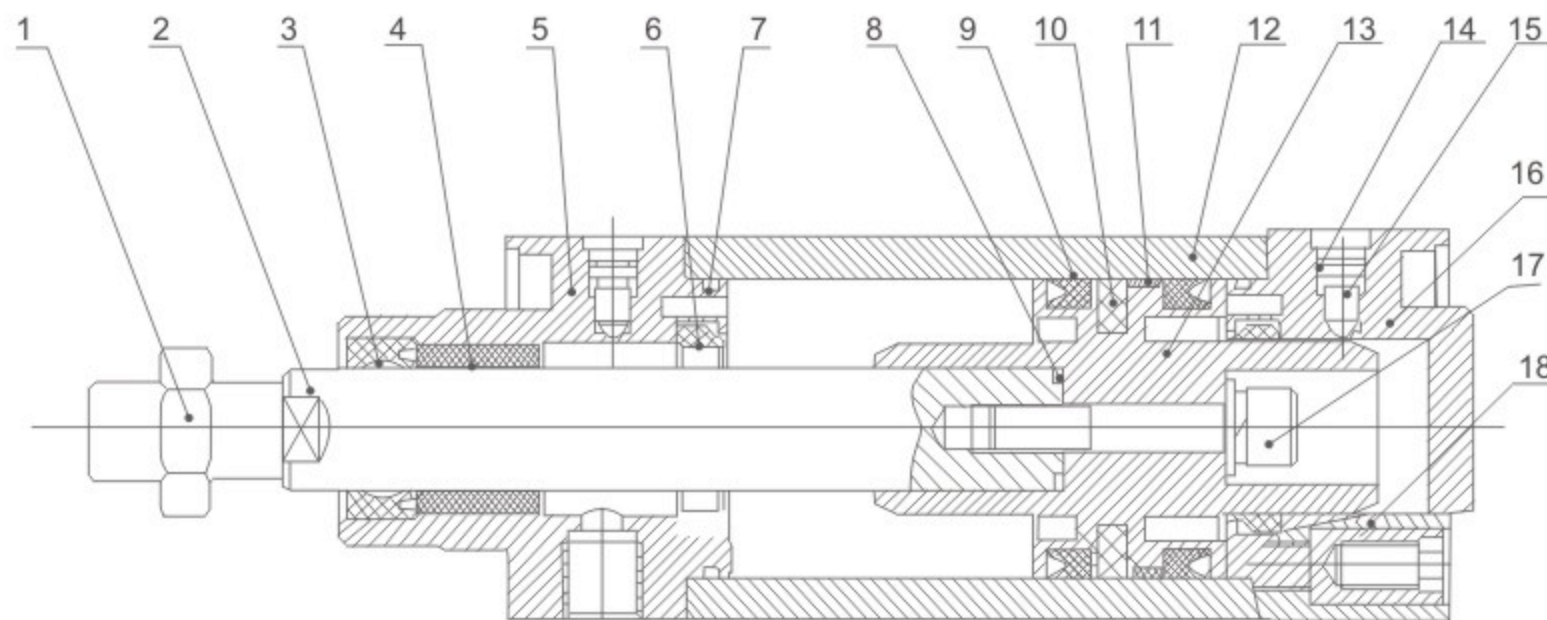


MDNC 50 × 100



TDNC 50 × 100

### Internal Structure



NO	Designation	NO	Designation
1	Piston Rod Nut	2	Piston Rod
3	Front Cover Seal Ring	4	Bearing
5	Front Cover	6	Buffering O-Ring
7	O-Ring	8	Piston rod O-Ring
9	Piston O-Ring	10	Magnet(Optional)
11	Wear Ring	12	Barrel
13	Piston	14	Cushion Seal
15	Cushion Needle	16	Back Cover
17	Hex Socket Screw	18	Profile Bolt

### Specification

Bore(mm)	32	40	50	63	80	100	125
Motion Pattern	Double Action						
Working Medium	Filtered Air						
Compression Pressure	1.5MPa						
Max. Operating Pressure	1.0MPa						
Min. Operating Pressure	0.1MPa						
Buffer	Air Buffer(Standard)						
Condition Temperature	-5~70℃						
Operating Speed	50~800mm/s						
Port Size	G1/8"	G1/4"	G3/8"	G1/2"			

### Stroke

Bore	Standard Stroke	Buffer Stroke	Stroke Range
32		20	10~2000
40			
50	25 40 50 80	22	
63	100 125 160		
80	200 250 320	32	
100	400 500		
125		35	

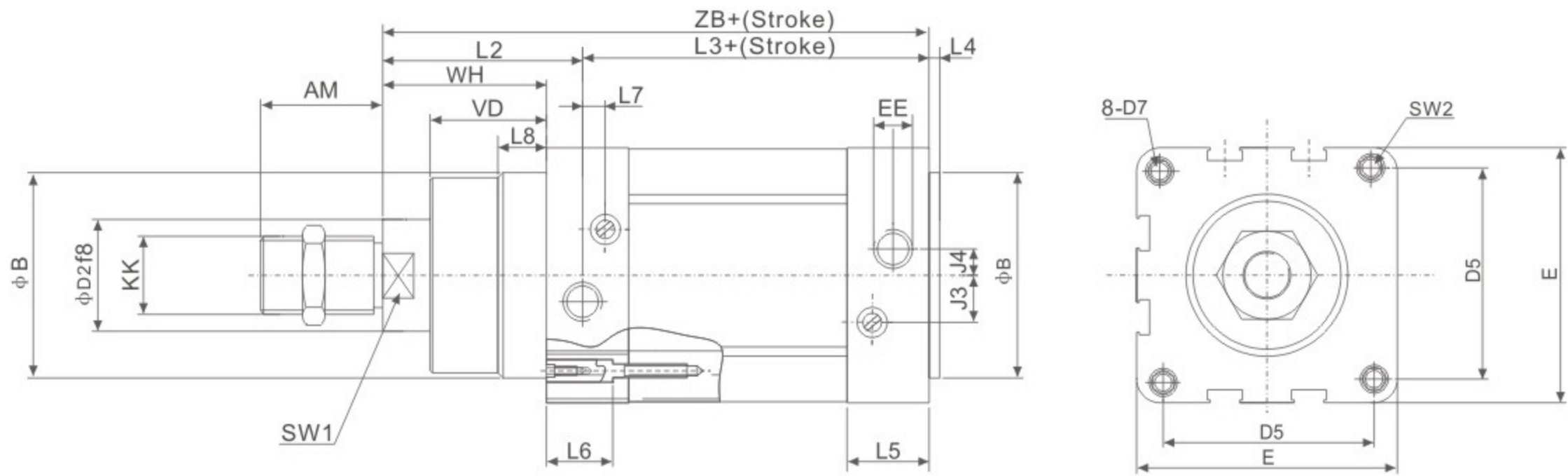




## DNC Series ISO6431 Standard Cylinder

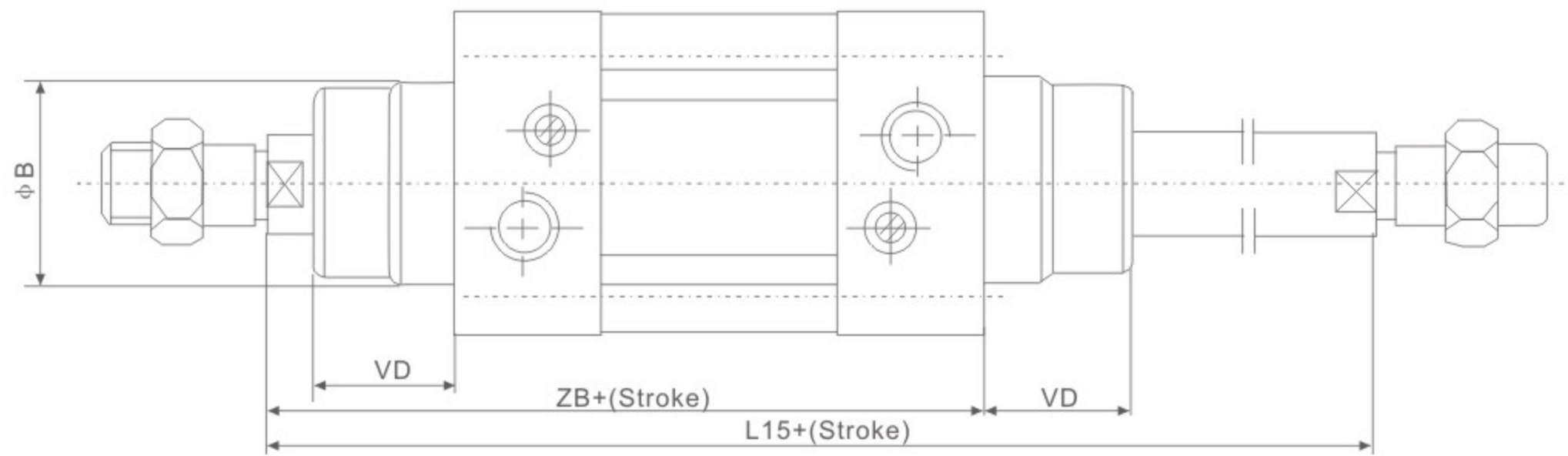


### Normal Type DNC-S



Bore	AM	B	D2	D5	D7	E	EE(G)	J3	J4	KK	L2	L3	L4	L5	L6	L7	L8	SW1	SW2	VD	WH	ZB
32	22	30	12	32.5	M6	45	1/8	6	5.2	M10×1.25	40	80	4	26	22	3.3	8	10	6	16	26	120
40	24	35	16	38	M6	54	1/4	8	6	M12×1.25	46	89	4	29.6	22	3.6	10	13	6	20	30	135
50	32	40	20	46.5	M8	64	1/4	10	8.5	M16×1.5	54	90	4	30	22	5.1	10	17	8	27	37	144
63	32	45	20	56.5	M8	75	3/8	12.4	10	M16×1.5	57	101	4	35.5	22	6.6	10	17	8	27	37	158
80	40	45	25	72	M10	93	3/8	12.5	8	M20×1.5	65	109	4	36	25	10.5	10	22	10	34.5	46	174
100	40	55	25	89	M10	110	1/2	11.8	10	M20×1.5	71	118	4	39	25	8	12.5	22	10	38	51	189
125	54	60	32	110	M12	134	1/2	13	8	M27×2	95	128	6	44.7	30	14	12.5	28	12	46	65	223

### Double Piston Rod Type DNC-D-S



Bore	32	40	50	63	80	100	125
B	30	35	40	45	45	55	60
L15	146	165	182	194	220	240	298
VD	16	20	27	27	34.7	38.2	46
ZB	120	135	144	158	174	189	223